



Estarli
e20 Operating & Maintenance Instructions

estarli e20

Operating & Maintenance Instructions

Technical:

Net bike weight: 17.5kg
Maximum load: 115 kg
Dimensions: 150x110cm
Folded dimensions: 85x70cm
Frame: aluminum 6061
Fork: aluminum 6061
Wheels: 20 inch
Discs: 160mm
Derailleur & shifters: Shimano Tourney
Motor: 36V 250W BRUSHLESS
Maximum torque: 40nm Maximum speed: 25km / h
Power Assist Levels: 5
Seat Post Battery: Samsung Cells Lithium
Capacity: 36V 7.2Ah
Weight battery: 1.5kg
Charging time: 3-4 hours
Range: 50km



Estarli
e20 Operating & Maintenance Instructions

Congratulations on the purchase of your estarli e20. Your bicycle is equipped with an electric pedaling assistance which will help assist your cycling. The aim of electric assistance is to reduce the input needed from the rider when cycling. The bike is fitted with intelligent sensors that monitor your pedal input and match it with motor assistance. The assistance varies according to the speed you are cycling and the assistance mode selected on the display.

To ensure safe operation of your new bike it is important you read this manual before first use.

This estarli e20 eBike has been designed in accordance with the requirements of European standards: EN 14764 and EN 15194 which comply with safety requirements.



Estarli
e20 Operating & Maintenance Instructions

Contents:

1. General information
2. Operating Instructions
3. Maintenance
4. Warranty



Estarli
e20 Operating & Maintenance Instructions

1. General information

1.1. Warnings

The assistance is triggered when you move the pedals, check that your handlebars are straight and that the road ahead is clear when you first try the bike.

Always carry out the pre-ride checks included in your getting started guide before each use

For your own protection we suggest you always wear protective clothing when cycling including a helmet and gloves. When cycling on the road please make sure your riding complies with the highway code and traffic rules.

If the bicycle is used by anyone under the age of 18, parents/guardians should supervise and ensure that the user is able to use the bicycle safely.

In accordance with the law children under the age of 14 are forbidden to ride the road or public highways.

Take care when riding in poor weather conditions (rain, ice, snow, cold, nighttime or similar), be extra vigilant, reduce your speed and pay particular attention to stopping distances when the surface is slippery.

When transporting your eBike on an external bike rack, it is advisable to remove the battery and store it in a cool place.

For safety reasons, we strongly recommended starting your first ride at level '1' (minimal assist), increasing the levels as you become more confident. When pushing your bike always set pedal assist to level '0', this will prevent the bike accelerating should you accidentally knock the pedals.

Failure to follow these warnings could result in an accident, injury or damage to your eBike. Estarli Ev Limited does not take responsibility for any faults or damage occurred from improper maintenance or bike safety checks.



Estarli
e20 Operating & Maintenance Instructions

⚠️⚠️ WARNING : Components on your eBike may become worn and require attention. If the expected service life of a component has been exceeded, it can break suddenly, risking injury to the cyclist. Cracks, scratches and discoloration in areas subject to high stresses indicate that the component has exceeded its service life and should be replaced. If in doubt please seek professional advice or get in touch with one of the estarli technical experts.

1.2 Adjustments

Although your estarli has been carefully prepared in our workshops, it is important that you check the following before first use and weekly when riding the bike:

1.2.1. Lights

If your ebike is equipped with high quality LED front lighting. Switching on and off is done using the on-board computer.

If your ebike is equipped with a rear light. This can be operated by the On / Off button on the light itself.



Estarli
e20 Operating & Maintenance Instructions

1.2.2 Bell

Check the Bell is installed and correctly aligned on your handlebars.

1.2.3. Tyres

Your estali is equipped with two 20-inch wheels. Check the tyre pressure before each ride. Riding with under-inflated or over-inflated tires can adversely affect performance, cause premature wear, cause damage to the rim, reduce range or increase the risk of accident. If significant wear or a notch is visible on one of the tires, replace it before using your eBike.

1.2.4. Brakes

Your estarli is equipped with 160mm diameter disc brakes. The right handle activates your front brake, while the left handle activates the rear brake. It is recommended to distribute your braking force on average 60/40 between the front and the rear. You should be able to obtain the maximum braking power without the brake levers touching the handles. If not, your brakes should be adjusted. If this is the case, contact your local bike repairer to get your brakes adjusted. Warning: In rain, or icy conditions braking distances are extended.

1.2.5. Pedals

If your pedals appear loose do not ride your eBike and take it to your local repairer.



Estarli

e20 Operating & Maintenance Instructions

1.2.6. Wheel and motor

After the first month of use, it is advisable to tighten your spokes. When the motor engages there might be a slight noise. This is perfectly normal. This noise may increase as the motor works harder.

1.3 Battery

1.3.1

Please charge the battery for at least 5 hours when charging for the first time. This will initialise it. The battery is delivered to you with a minimum charge,

it is **VERY IMPORTANT TO CHARGE YOUR BATTERY FOR A MINIMUM OF 2 HOURS EVERY MONTH MAINTAINING A STORAGE CHARGE LEVEL OR AROUND 50%.**

After charging your battery, it is advisable to let it sit 20 to 30 minutes before use. The typical battery range is 30-70km. The estimated range is subject to a number factors including:

- The level of assistance
- The weight of the user
- The gradient of the road
- Tyre inflation
- Wind resistance
- Pedaling effort
- Starting and frequency of stops
- The outside temperature

Precautions for use:

- Use the battery only with this bike.
- Use only the specific charger supplied to charge the battery.
- Always charge the battery in a well ventilated area.
- Do not expose the battery to heat or charge it in direct sunlight.
- Do not disassemble or modify the battery.
- Do not connect the (+) and (-) battery connections with a metallic object.
- Do not expose the battery to liquids.
- Do not use a damaged battery.
- Do not continue to charge the battery beyond the recommended charge time.



Estarli

e20 Operating & Maintenance Instructions

- Do not use the battery if it emits an unusual smell, becomes unusually hot or if something seems abnormal.
- Keep the battery out of the reach of children.
- Recharge your battery before prolonged storage and perform the same operation after storage. Follow the instructions on the label of the battery charger.



Estarli
e20 Operating & Maintenance Instructions

Battery life:

Batteries suffer from aging performance after a lot of use. It will depend on the usage patterns of the VAE. In general, the energy capacity may reduce by 20 to 30% (charge and discharge) for lithium batteries. When discarding batteries please make sure you do so responsibly through an authorised recycling centre.

1.3.2. Charger

Use only the charger that was supplied with your electric bicycle. Avoid contact with water while charging the battery. If a plug becomes wet, dry thoroughly before use. Precautions for use:

- For indoor use, do not expose the battery charger to rain.
- Do not short circuit the charger pins.
- Do not dismantle or modify the charger.
- Always place the charger in a well ventilated and dry environment.
- **Warning:** Explosive gases. Avoid flames and sparks. Provide adequate ventilation during charging.
- Do not use the charger with a damaged power cord or plugs.
- Do not touch the charger with wet hands.
- Make sure that the charger plug is correctly connected to the mains for charging.
- Disconnect the power supply before connecting or disconnecting the connections on the battery.



Estarli

e20 Operating & Maintenance Instructions

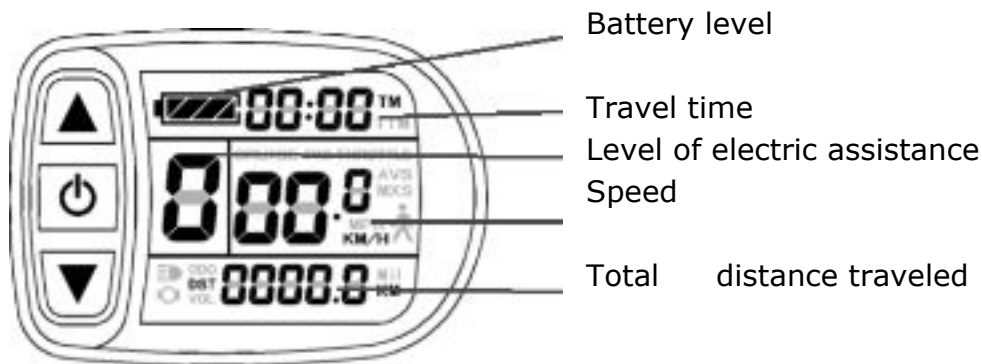
- Do not touch the charger for too long during charging (risk of superficial burns).
- Do not position the charger in an unstable manner.
- Do not cover the charger to avoid overheating during charging.
- This charger is designed to charge the Lithium battery supplied with this eBike only.
- Keep out of reach of children, this product is not a toy.
- Do not expose the product to a heat source.
- Do not immerse the product.
- The external flexible cable of this product cannot be replaced; if the cord is damaged, the item should be discarded.



Estarli
e20 Operating & Maintenance Instructions

2. Getting started and use

2.1 Starting and using the on-board computer



2.1.1 Press "power" a few seconds to switch on and switch off the screen

2.1.2 Press "▲" or "▼" to choose the level of electric assistance

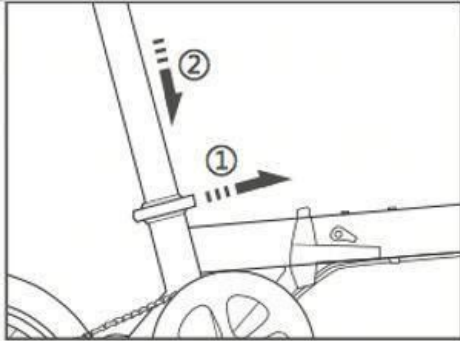
2.1.3 Press "▲" a few seconds to switch on and off the front light

2.1.4 Press "▼" a few seconds to activate the pedestrian mode which will make the bike advance at a speed of 6km / h without pedaling

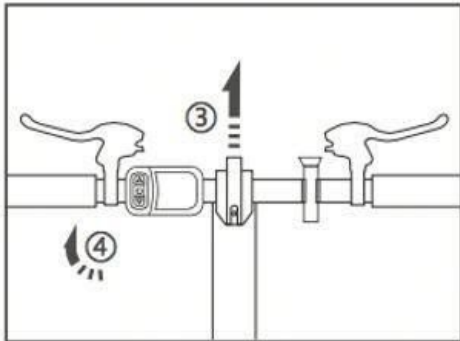


Estarli
e20 Operating & Maintenance Instructions

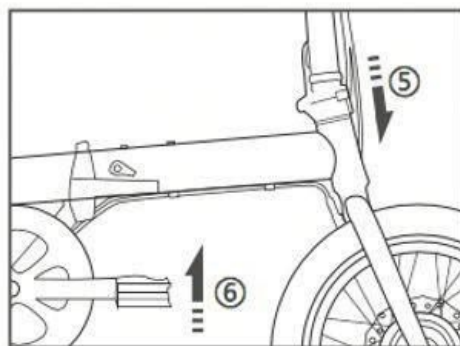
2.2 Folding your estarli



1. Loosen the seat clamp.
2. Slowly slide the seat post to the floor.
3. Tighten the saddle clamp.



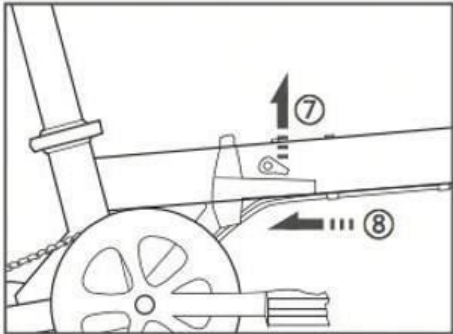
1. Loosen the handlebars using the lever in the center of the handlebars.
2. Swivel the handlebars down until the brake levers are vertical.
3. Tighten the handlebars with the lever in the center of the handlebars.



1. Loosen the lever which allows the upper tube and the handlebars to be folded. Then fold along the fork.
2. Bend the pedals by pressing on them and rotating them on themselves.



Estarli
e20 Operating & Maintenance Instructions

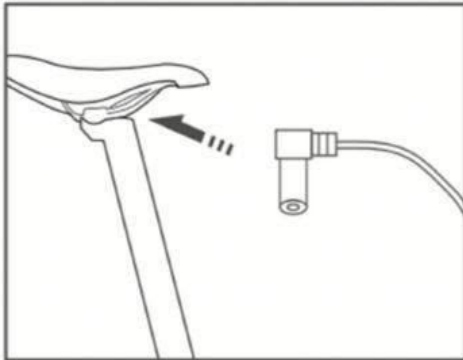


1. Rotate the frame folding lever safety upward.
2. Pull the folding lever of the frame and fold the bike on itself.

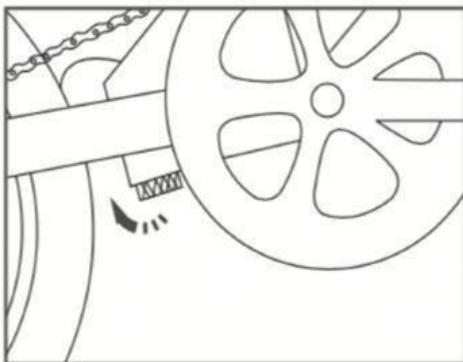


Estarli
e20 Operating & Maintenance Instructions

2.3 Recharging



The charging port is located under the saddle, covered by a dust and moisture cover. Remove the cover and plug in the charger, replace the cover when charging is complete.



If you want to charge the battery separately, unscrew the connection port to the controller, loosen the seat clamp and remove the seatpost in its entirety. Repeat the above steps to replace and connect it.



Estarli
e20 Operating & Maintenance Instructions

3. MAINTENANCE

3.1. Revisions

Note: To ensure safety and keep the components in good working condition, you must have your eBike checked periodically by a qualified person:

First checkup: 1 month or 150 km

Ensure the following are correctly tightened: crank, wheel, stem, pedals, hanger, seat clamp.

Ensure the brakes are correctly adjusted

Check tension of spokes and wheels

Check levels of wear (brake pads, transmission, tires)

Check for play the bearings (bottom bracket, wheels, steering, pedals)

Check all cables are not worn or damaged

Check the lighting

Check tyres for wear or damage

Check of electrical functions and components.

3.2 General maintenance

Your bicycle requires regular maintenance for your safety and to ensure it goes on forever.

It is important to check the mechanical elements periodically



Estarli
e20 Operating & Maintenance Instructions

For safe use, regularly check the condition of the brakes and rims.

Cleaning

In order to avoid corrosion of the bicycle, it is necessary to rinse your bicycle with fresh water after each use and / or if it has been exposed to sea air. The cleaning must be done with a sponge, a basin of warm soapy water and a water jet (without pressure). Be especially careful not to use a pressurised water jet.

Lubrication

Lubrication is essential on the various components which are in movement in order to avoid corrosion, it must be carried out regularly on the ball bearings located in the axis of the wheels, chain, derailleur and cables of control. It is advisable to use specific oil for the chain and the derailleur. You must use grease for the other components

4 Warranty

Your new delicious estarli eBike comes with a 2 year warranty. The warranty covers parts and labour (if returned to one of our depots). Should you opt to have your eBike worked on by an independent qualified bike repairer we will happily send you replacement parts subject to the terms of our warranty and with prior authorisation from us.

- Any component replaced under these warranty terms will be covered for the remaining warranty period of the eBike.
- Any components replaced under warranty must be returned to Estarli Ev Limited and will become property of Estarli Ev Limited.
- We may from time to time at our discretion make repairs to defective parts falling outside of the warranty period. Such work shall not be deemed an admission of liability.

Exclusions

Contractual warranty excludes damage or defects caused by: abnormal use, lack



Estarli

e20 Operating & Maintenance Instructions

of maintenance, accidental damage, prolonged exposure to moisture or liquid or non-compliance with recommendations.

- The eBike must not have been used for competitions, inadequately maintained, incorrectly serviced or incorrectly used
- External factors such as shocks, lightning storms, current surges, short circuit, etc
- Damage caused by excess exposure to the elements (eg rust caused by not storing bike indoors)
- Modification of electrical components or any modifications (eg additions not included when bought)
- Paint, varnish, saddles and bike graphics
- Parts that are expected to wear as part of their normal function such as tyres, brake pads, brake cables, handlebar grips, freewheels etc.
- Spokes
- Should a warranty claim become necessary, estarli shall not be liable for the cost of transportation of the e-bike to or from a repair site selected to fulfil the repair, work, or labour on the eBike as set out under these warranty terms, including costs associated with loss of use, inconvenience, lost time, commercial losses or other incidental or consequential damages.
- Commercial use of the eBike